

# BIOMASS PLANT

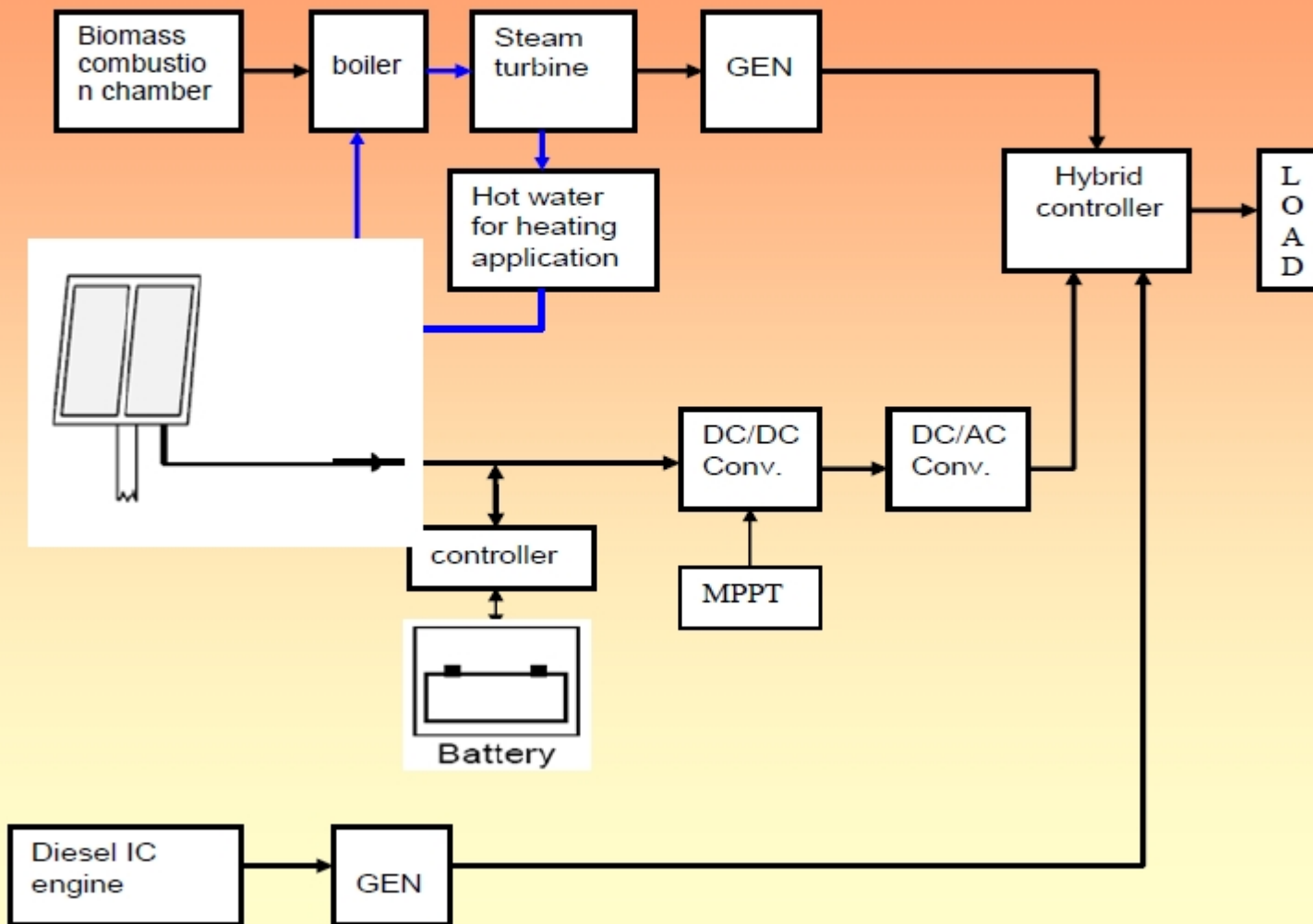
- The major components of Biogas plant are listed as follows.
  - Gassifier
  - Piping
  - Sand filter
  - Diesel engine
  - Electric Generator

# BIOMASS PLANT-1

- The costs of different components of Biogas plant are specified in the following table.

Item	Cost in Rs.for 5KW plant	Life period
Biogas plant	127700	20years
Piping	8300	10years
Sand filter	4150	10years
7hp diesel engine	37700	15years
5KVA generator	78150	15years
Accessories, Tools	20750	10years
Engine room	16550	20years

# Biomass-PV-Diesel Hybrid System



Block diagram of biomass-PV-Diesel Hybrid System

# Biomass Energy

- Biomass is matter usually thought of as garbage. Some of it is just stuff lying around -- dead trees, tree branches, yard clippings, leftover crops, wood chips and bark and sawdust from lumber mills.
- It can even include used tires and livestock manure [5].
- The waste wood, tree branches and other scraps are gathered together in big trucks.
- The trucks bring the waste from factories and from farms to a biomass power plant.
- Here the biomass is dumped into huge hoppers. This is then fed into a furnace where it is burned.